

TECHNICAL SPECIFICATIONS

Monkey side table

JAIME HAYON
2016



COMPONENTS and MATERIALS:

Table made of solid architectural concrete. Apt for indoor and outdoor use. Regulatory glides included.

DIMENSIONS and WEIGHTS:

Side table: 59 x 40 x h. 60 mm / 24 kg

FINISHES:

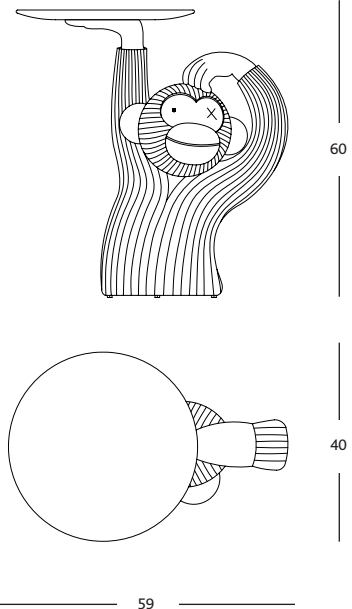
Grey (Indoor and outdoor use) and black (Indoor use).

PACKAGING:

The side table is shipped protected with Porex foam in a cardboard box.

CLEANING and MAINTENANCE:

The table should be cleaned with a damp cloth using only water or a mild soap. Beverage and other liquids stains should be cleaned up **within two hours**. It is recommended that an organic flannel be used. Do not use cleaning products containing solvents or alcohol, or any other derivatives.



60

40

59

MEASUREMENTS IN CM



BD Barcelona Design

Ramon Turró, 126 / 08005 Barcelona
Tel +34 93 458 69 09 / Fax +34 93 207 36 97
bd@bdbarcelona.com / www.bdbarcelona.com

Technical Department

Carretera Capellades / km 22,750
Narcís Monturiol, 7 / Pol. Ind Sesrovires
Sant Esteve de Sesrovires / 08635 Barcelona
Tel +34 93 771 30 51 / Fax +34 93 771 32 32