

TECHNICAL SPECIFICATION

B Chair

KONSTANTIN GRČIĆ
2010



COMPONENTS and MATERIALS:

Lateral sides are made of veneered beech plywood.

The backrest is made up of three parts in solid ash wood.

The seat is veneered in beech with the upper surface in ash. Beech underside. Upholstered version in black coloured beech in various fabrics, leathers and hides available in BD.

The cross-bar of the seat is made of a steel tube, and the hinges are made of aluminium castings.

The hinge stoppers are in PVC.

Joining tools are in stainless steel.

FINISHES:

Chair in natural ash, axe in white.

Ash lacquered black axes in black.

DIMENSIONS and WEIGHTS:

56 x 48 x h. 77cm (6,2 kg)

PACKAGING:

The chair is sent in cardboard box.

60 x 46 x 82 cm

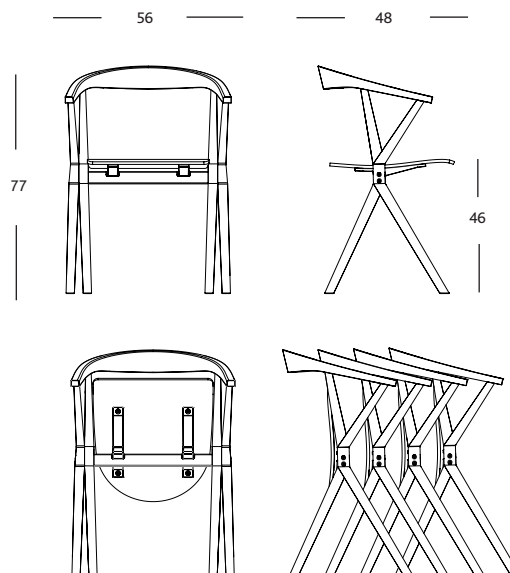
Seat (not upholstered version): 8kg

Upholstered seat version: 9kg

(Individual packing weight and dimensions, not including pallet).

TESTS:

The chairs are certified to standards: EN-15373:07 "Furniture, resistance, durability and security: non-domestic seating"; UNE EN 1728:01 "Domestic furniture, seats, determination of resistance and durability"; UNE EN 1022:5 "Determination of stability".



BD Barcelona Design

Ramon Turró, 126 / 08005 Barcelona
Tel +34 93 458 69 09 / Fax +34 93 207 36 97
bd@bdbarcelona.com / www.bdbarcelona.com

Technical Department

Carretera Capellades / km 22,750
Narcís Monturiol, 7 / Pol. Ind Sesrovires
Sant Esteve de Sesrovires / 08635 Barcelona
Tel +34 93 771 30 51 / Fax +34 93 771 32 32